



• ED22599 Series.

DC Brushless Centrifugal fan / Motorized impeller.

Size: Ø 225 x 99 mm

Ø 8.8 x 3.89 inches

Airflow: Max. 835 CFM / 23.6 m3/min

Aluminum die cast motor frame / Plastic Backward Curved Impeller.

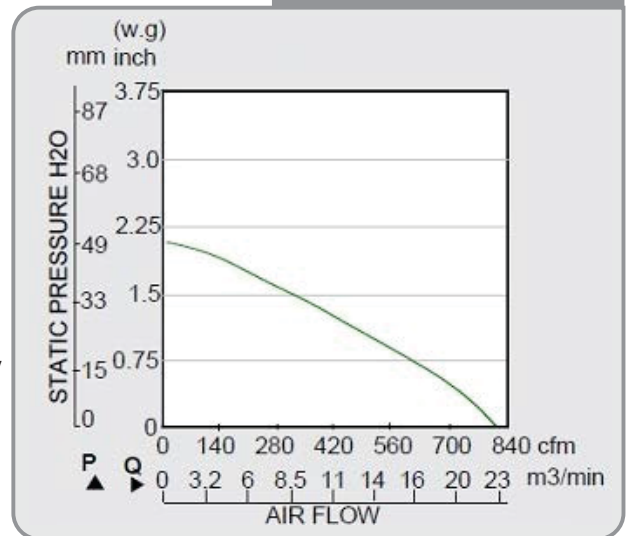
Model No.	Rated Voltage	Voltage Range	Input Power	Rated Current	Ref Speed	Max. Airflow		Max. Static Pressure		Noise Level	PQ Curves
	VDC	VDC	Watt	Amp	RPM	CFM	m3/min	Inch/H2O	mm/H2O	dB (A)	
ED22599-24H**	24	16~28	110.4	4.6	2500	835	23.6	2.05	52.07	67	
ED22599-48H**	48	36~56	110.4	2.3	2500	835	23.6	2.05	52.07	67	

** = "BL" for Ball bearing wire lead type

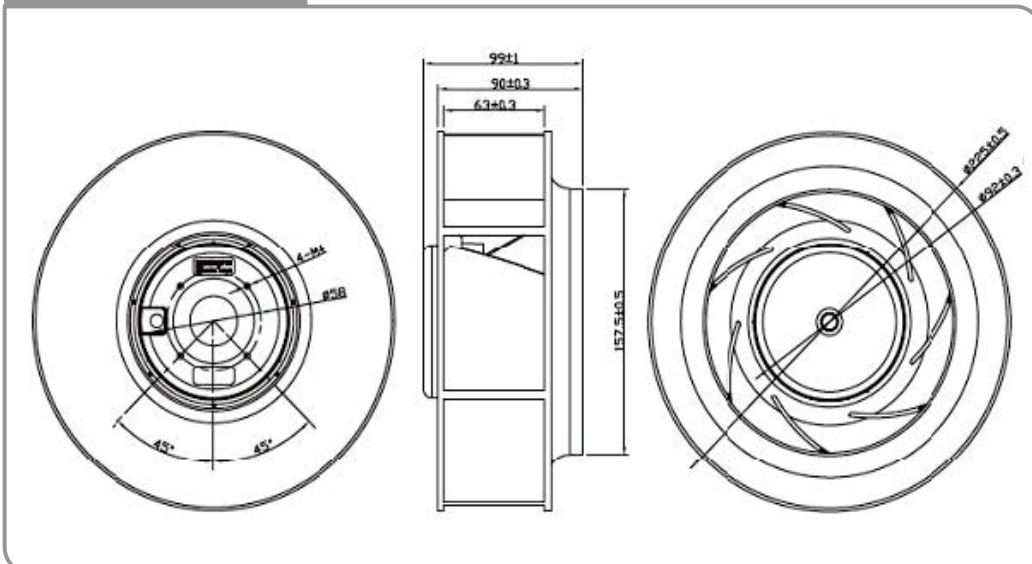
We Reserve the right to change data and improve electrical & mechanical design without notice, data tolerance +/- 10%

- Motor Type: Microprocessor brushless DC Motor, auto cutoff, auto restart
- Burnout Protection: Electronically protected, polarity protected
- IP Protection: -
- Mechanical**
- Frame: Aluminum die casting motor frame
- Impeller: PA66 Nylon
- Bearing: Two ball bearings
- Rotation: CW seen on rotor
- Connection: Wire leads
- Weight: 1500 g (3.30 Lbs)
- Electronical**
- Dielectric Strength: 500 VAC/min. Max leakage 500mA
- Speed Control: Optional: PWM, S/C NTC thermister, 0~10V control voltage S/V
- Signal Output: Optional: R/D alarm output, tachometer output F/G
- Environment**
- Operating Temp: -20°C~+65°C
- Storage Temp: -25°C~+75°C (at 65%RH)
- Life Expectancy: L10 50K hours at 25°C

► Performance P-Q Curves.



► Outline Dimensions.



Fan Accessories

